

## High Voltage AC Power Capacitors 3-Phase Capacitor Banks IP55



### FEATURES

- Latest technology
- High quality materials
- Low losses design
- Dielectric liquid biodegradable
- Absolutely safe against animal effects
- Avoiding directly contact to live parts
- Turnkey solution

### APPLICATIONS

- Power factor correction
- Motor compensation
- Harmonic filtering
- Industrial converter
- Thermal power station
- Solar
- Wind

QUICK REFERENCE DATA	
Series	C/... HVAC capacitors banks 3ph IP55
Description	Power capacitors IP55, indoor / outdoor
Type	3-phase capacitor banks up to 12 kV
Technology	All-film polypropylene / aluminum foil
Voltage min. (V)	1000
Voltage max. (V)	12 000
Frequency min. (Hz)	50
Frequency max. (Hz)	60
Output min. (kvar)	50
Output max. (kvar)	6840

TECHNICAL DATA	
Rated frequency	50 Hz or 60 Hz
Insulation class	Up to 12 kV
Internal connection	Dead case
Discharge resistor	Yes
Temperature category	-50 °C to +55 °C
Capacitance tolerance	-5 % / +10 %
Dielectric	All-film polypropylene / aluminum foil
Protection	Pressure or unbalance monitoring device
Impregnating agent	Synthetic oil (non-PCB)
Standards	IEC 6087-1, ANSI/IEEE 18, CSA C22.2 No. 190, capacitor in accordance with other standards available upon request
Bushings	Cable gland KV-PG 68, sealing with hot shrink-fit method
Casing	Stainless steel
Standard color	RAL 7033 / other colors available upon request



## FORMS OF CONSTRUCTION



**Form 1**  
Maximum voltage: 7.2 kV  
Pressure monitoring device



**Form 2**  
Maximum voltage: 12 kV  
Pressure monitoring device



**Form 3**  
Maximum voltage: 7.2 kV  
Unbalance monitoring device



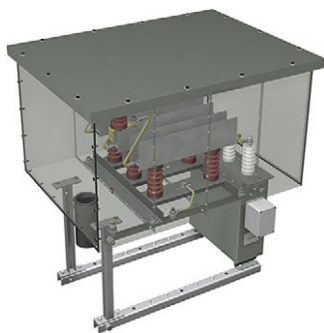
**Form 4**  
Maximum voltage: 12 kV  
Unbalance monitoring device



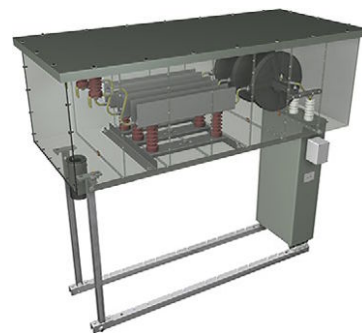
**Form 5**  
Maximum voltage: 7.2 kV  
Unbalance monitoring device



**Form 6**  
Maximum voltage: 12 kV  
Unbalance monitoring device



**Extension: HH**  
Additional with HH fuses



**Extension: HH / LD**  
Additional with HH fuses and current inrush reactors

## CORROSION PROTECTION

Case: stainless steel, 3 layer painting

Frames: hot dip galvanized, 70 µm



## DIMENSION AND WEIGHT

CAPACITOR BANK UP TO 7.2 kV, 50 Hz / 60 Hz, IP55, INDOOR AND OUTDOOR								
RATED VOLTAGE $U_N$ (kV)	OUTPUT $Q_n$ AT 50 Hz (kvar)	OUTPUT $Q_n$ AT 60 Hz (kvar)	IMPULSE (kVp)	CURRENT AT 50 Hz (A)	CURRENT AT 60 Hz (A)	BANK DIMENSIONS L x W x H (mm)	WEIGHT (kg)	FORM
7.2	50	60	60	4	5	525 x 604 x 655	35	1
7.2	100	120	60	8	10	525 x 604 x 685	38	1
7.2	200	240	60	16	19	525 x 604 x 825	50	1
7.2	300	360	60	24	29	525 x 604 x 985	60	1
7.2	500	600	60	40	48	525 x 604 x 1110	80	1
7.2	700	840	60	56	67	525 x 604 x 1365	110	1
7.2	1000	1200	60	80	96	525 x 1100 x 950	155	3
7.2	1800	2160	60	144	173	525 x 1100 x 1130	250	3
7.2	2300	2760	60	184	221	525 x 1100 x 1330	310	3
7.2	3300	3960	60	265	318	525 x 1733 x 1065	450	5
7.2	4800	5700	60	385	457	525 x 1733 x 1365	615	5

CAPACITOR BANK UP TO 12 kV, 50 Hz / 60 Hz, IP55, INDOOR AND OUTDOOR								
RATED VOLTAGE $U_N$ (kV)	OUTPUT $Q_n$ AT 50 Hz (kvar)	OUTPUT $Q_n$ AT 60 Hz (kvar)	IMPULSE (kVp)	CURRENT AT 50 Hz (A)	CURRENT AT 60 Hz (A)	BANK DIMENSIONS L x W x H (mm)	WEIGHT (kg)	FORM
12	50	60	60	2	3	675 x 604 x 890	47	2
12	100	120	60	5	6	675 x 604 x 950	50	2
12	200	240	60	10	12	675 x 604 x 980	62	2
12	300	360	60	14	17	675 x 604 x 1135	74	2
12	500	600	60	24	29	675 x 604 x 1440	97	2
12	700	840	60	34	40	675 x 604 x 1710	120	2
12	1000	1200	60	48	58	675 x 1100 x 1685	262	4
12	1800	2160	60	87	104	675 x 1100 x 1455	285	4
12	2500	3000	60	120	144	675 x 1100 x 1666	337	4
12	3300	3960	60	159	191	675 x 1733 x 1285	455	6
12	5700	6840	60	274	329	675 x 1733 x 1785	695	6

TYPE NOMENCLATURE																
C	/	7.2	/	700	/	50	/	D	/	U	/	HH	/	LD	/	K
1		2		3		4		5		6		7		8		9
C: compensation		Voltage in kV		Rated power in kvar or Mvar		Frequency in Hz		D: pressure monitoring device n. E.: no entry / no device		U: unbalance monitoring device n. E.: no entry / no device		HH: HH fuse n. E.: no entry / no device		LD: current limiting reactor n. E.: no entry / no device		K: IP55 capacitor



## Disclaimer

ALL PRODUCT, PRODUCT SPECIFICATIONS AND DATA ARE SUBJECT TO CHANGE WITHOUT NOTICE TO IMPROVE RELIABILITY, FUNCTION OR DESIGN OR OTHERWISE.

Vishay Intertechnology, Inc., its affiliates, agents, and employees, and all persons acting on its or their behalf (collectively, "Vishay"), disclaim any and all liability for any errors, inaccuracies or incompleteness contained in any datasheet or in any other disclosure relating to any product.

Vishay makes no warranty, representation or guarantee regarding the suitability of the products for any particular purpose or the continuing production of any product. To the maximum extent permitted by applicable law, Vishay disclaims (i) any and all liability arising out of the application or use of any product, (ii) any and all liability, including without limitation special, consequential or incidental damages, and (iii) any and all implied warranties, including warranties of fitness for particular purpose, non-infringement and merchantability.

Statements regarding the suitability of products for certain types of applications are based on Vishay's knowledge of typical requirements that are often placed on Vishay products in generic applications. Such statements are not binding statements about the suitability of products for a particular application. It is the customer's responsibility to validate that a particular product with the properties described in the product specification is suitable for use in a particular application. Parameters provided in datasheets and / or specifications may vary in different applications and performance may vary over time. All operating parameters, including typical parameters, must be validated for each customer application by the customer's technical experts. Product specifications do not expand or otherwise modify Vishay's terms and conditions of purchase, including but not limited to the warranty expressed therein.

Hyperlinks included in this datasheet may direct users to third-party websites. These links are provided as a convenience and for informational purposes only. Inclusion of these hyperlinks does not constitute an endorsement or an approval by Vishay of any of the products, services or opinions of the corporation, organization or individual associated with the third-party website. Vishay disclaims any and all liability and bears no responsibility for the accuracy, legality or content of the third-party website or for that of subsequent links.

Except as expressly indicated in writing, Vishay products are not designed for use in medical, life-saving, or life-sustaining applications or for any other application in which the failure of the Vishay product could result in personal injury or death. Customers using or selling Vishay products not expressly indicated for use in such applications do so at their own risk. Please contact authorized Vishay personnel to obtain written terms and conditions regarding products designed for such applications.

No license, express or implied, by estoppel or otherwise, to any intellectual property rights is granted by this document or by any conduct of Vishay. Product names and markings noted herein may be trademarks of their respective owners.